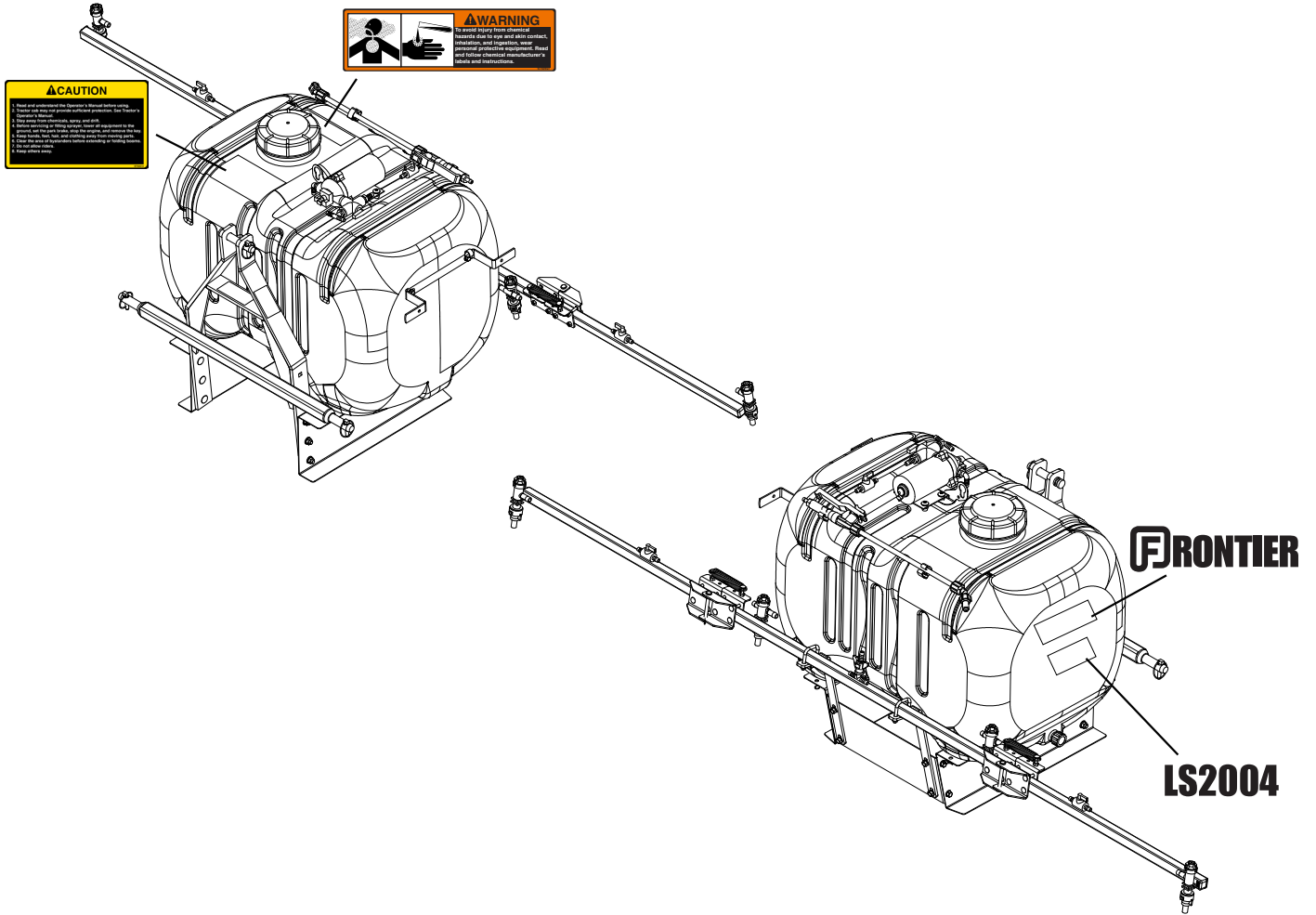


# PARTS DIAGRAMS

## Safety Decals Kit and Model Decals



1 - English  
2 - French  
3 - Spanish

4 - English  
5 - French  
6 - Spanish

**OPERATOR'S MANUAL**

**LIQUID SPRAYER**

LS2004

**FRONTIER**

Operator's Manual and Safety Decal Kit

**FRONTIER**

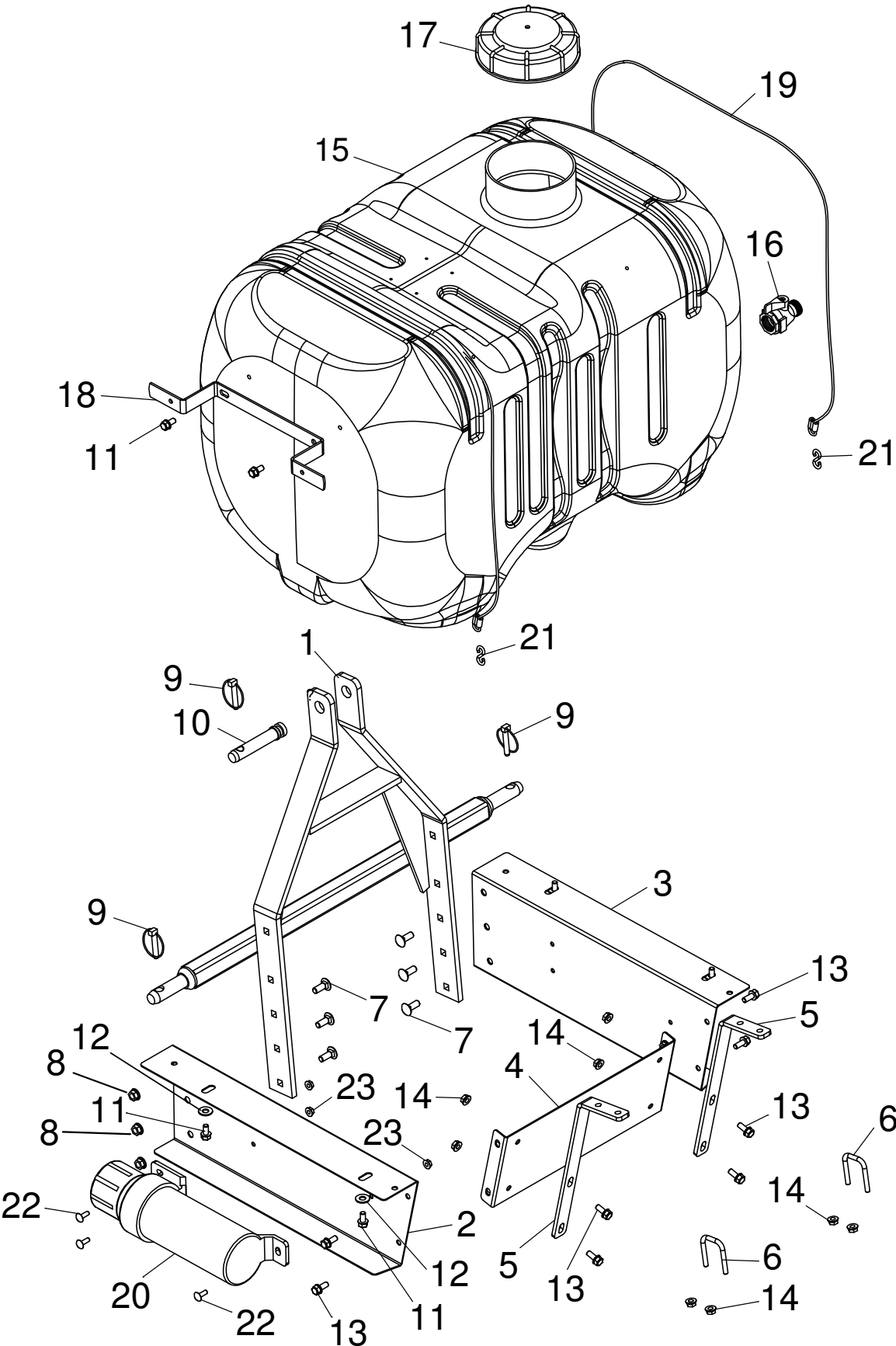
**LS2004**

Replacement Decal Kit

## Safety Decals Kit and Model Decals

ITEM NO.	PART NUMBER	DESCRIPTION	QTY.	Note
1	5CS0024	OM and Safety Decal Kit - English	1	Includes Operator's Manual, Caution Label and Warning Label
2	5CS0027	OM and Safety Decal Kit - French	1	
3	5CS0030	OM and Safety Decal Kit - Spanish	1	
4	5CS43997	Replacement Decal Kit - English	1	Includes Caution Label, Warning Label, Frontier Decal and Model Decal
5	5CS43998	Replacement Decal Kit - French	1	
6	5CS43999	Replacement Decal Kit - Spanish	1	

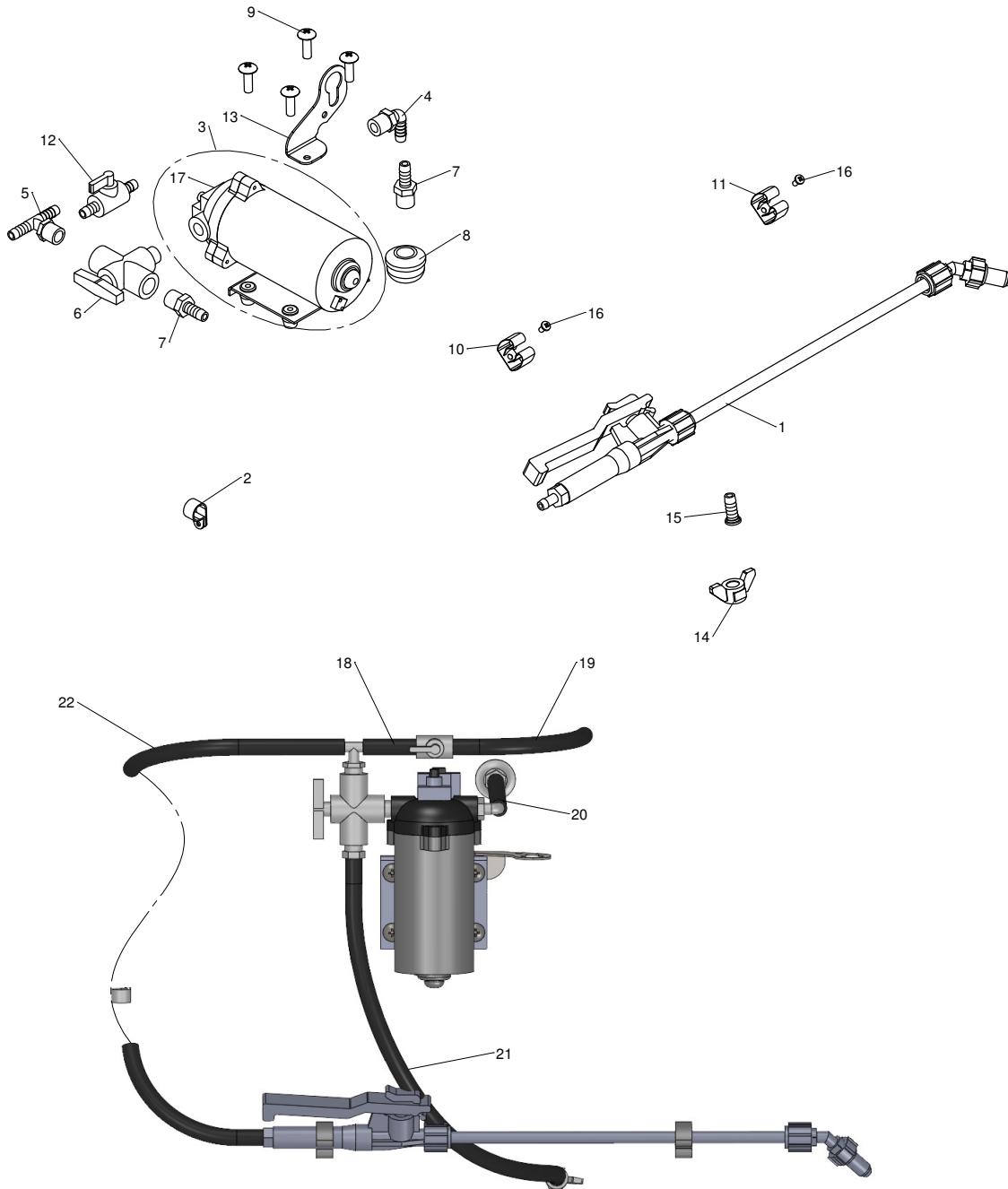
# Frame and Tank



## Frame and Tank

ITEM NO.	PART NUMBER	DESCRIPTION	QTY.	Note
1	5CS61500	3 Point A Frame	1	
2	5CS61502	Frame Base Left	1	
3	5CS61503	Frame Base Right	1	
4	5CS61504	Frame Base Rear	1	
5	5CS61505	Boom Support	2	
6	5CS43315	5/16" x 1-3/4" Square U-Bolt	2	
7	03H1500	3/8" x 1" Carriage Bolt	6	
8	E55662	3/8" Flange Nut	6	
9	5CS43398	Lynch Pin	3	
10	5CS43399	Top Link Pin, Cat 1	1	
11	T58694	5/16" x 5/8" Flange Bolt	6	
12	T406296	3/8" Flat Washer	4	
13	5CS65007	5/16" x 3/4" Flange Bolt	8	
14	A22698	5/16" Flange Nut	12	
15	5CS43530	Tank 45 Gallon	1	
16	5CS43981	Garden Hose Shut-off Valve	1	
17	5CS43175	Tank Lid 6"	1	
18	5CS62006	Hose Hanger	1	
19	5CS61511	Cable Lanyard w/ I-hook	2	
20	5CS43950	Manual Canister	1	
21	5CS61512	S-hook	2	
22	03H1701	1/4" x 3/4" Carriage Bolt	3	
23	N10217	1/4" Flange Nut	3	
-	5CS50912	Battery Harness	1	Not Illustrated
-	5CS50913	Chasis Harness	1	Not Illustrated
-	5CS50914	Switch Harness	1	Not Illustrated
-	5CS50915	Sprayer Extension Harness	1	Not Illustrated
-	5CS48616	Fir Tree w/ wire tie	1	Not Illustrated
-	5CS43984	Edge Clip w/ wire tie	1	Not Illustrated
-	5CS43985	Grommet 24.75 mm	1	Not Illustrated
-	5CS43986	Wire Tie, Black Nylon UV, 10"	10	Not Illustrated

## 2.2 GPM Pump and Hand Sprayer

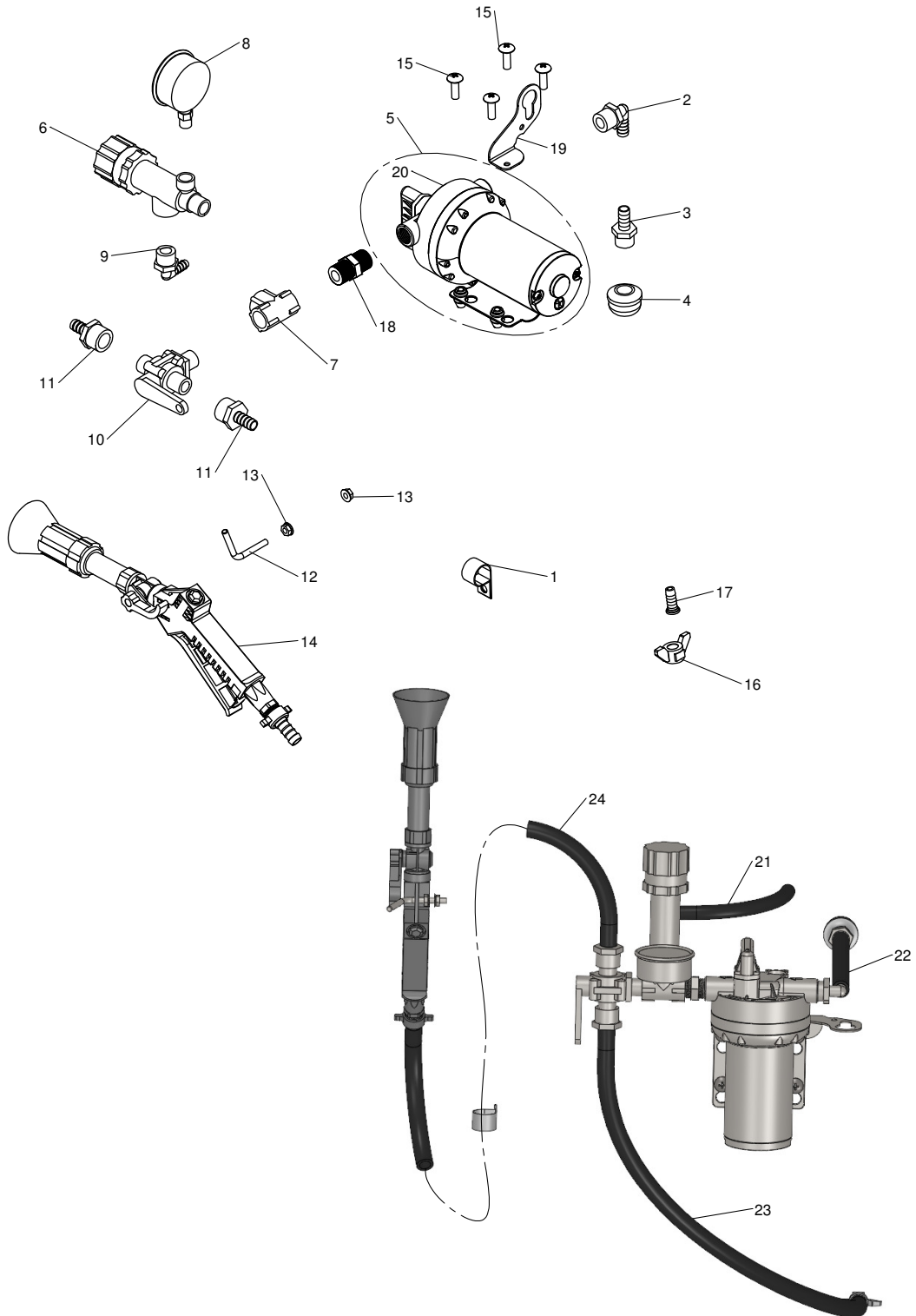


ITEM NO.	PART NUMBER	DESCRIPTION	QTY.	Note
1	5CS43673	Spray Wand w/ Brass Tip	1	
2	5CS43674	Hose Holder 3/8"	1	
3	5CS43918	Pump 2.2 GPM 100 PSI	1	
4	5CS43183	Elbow 3/8" NPT - 3/8" Barb	1	
5	5CS43235	Tee 3/8" NPT -3/8" Barb	1	

## 2.2 GPM Pump and Hand Sprayer

ITEM NO.	PART NUMBER	DESCRIPTION	QTY.	Note
6	5CS43181	Selector Valve 3/8"	1	
7	5CS43182	Fitting Straight 3/8" Barb	2	
8	5CS43258	Sump Strainer 3/8"	1	
9	5CS65001	#10-24 x 1" Truss Head Screw	4	
10	5CS43287	Spray Wand Clip Large	1	
11	5CS43130	Spray Wand Clip Small	1	
12	5CS43014	In-line Valve 3/8"	1	
13	5CS43973	Harness Retention Bracket	1	
14	5CS43498	Plastic Wing Nut	1	
15	5CS43499	3/8" Barb Fitting for Wing Nut	1	
16	5CS65000	#10-24 x 3/8" Truss Head Screw	2	
17	5CS43921	2.2 GPM Pump Head Replacement	1	
18		3/8" Hose	1	CTL 2.5", MF 5CS43286
19		3/8" Hose	1	CTL 8", MF 5CS43286
20		3/8" Hose	1	CTL 22", MF 5CS43286
21		3/8" Hose	1	CTL 28", MF 5CS43286
22		3/8" Hose	1	CTL 240", MF 5CS43286
-	5CS43652	Hose Clamp Screw Type 3/8" - 1/2"	8	Not Illustrated
-	5CS43844	Grommet 5/8" ID	2	Not Illustrated

# 4.0 GPM Pump and Hand Sprayer

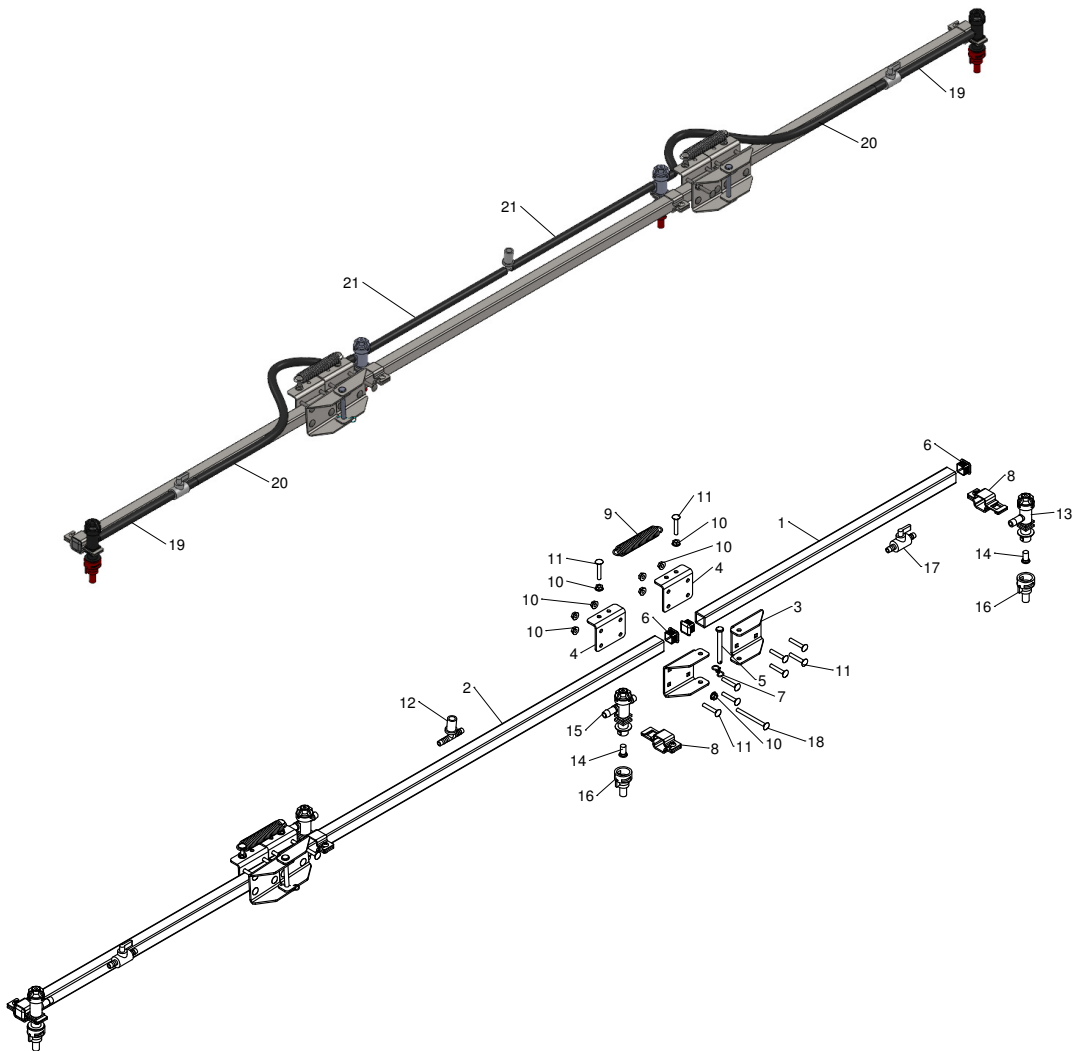


## 4.0 GPM Pump and Hand Sprayer

ITEM NO.	PART NUMBER	DESCRIPTION	QTY.	Note
1	5CS43663	Hose Holder 1/2"	1	
2	5CS43803	Elbow 1/2" Barb - 1/2" NPT	1	
3	5CS43423	Fitting 1/2" Barb - 1/2" MP	1	
4	5CS43422	Sump Strainer 1/2"	1	
5	5CS43791	Pump 4.0 GPM 100 PSI	1	
6	5CS43591	Relief Valve 1/2"	1	
7	5CS43424	Tee 1/2" NPT	1	
8	5CS43593	Pressure Gauge	1	
9	5CS43590	Elbow 3/8" Barb - 1/2" NPT M	1	
10	5CS43430	Selector Valve	1	
11	5CS43587	Fitting 1/2" Barb - 1/2" NPT F	2	
12	5CS62008	1/4" Bent Pin	1	
13	N10217	1/4" Flange Nut	2	
14	5CS43435	Sprayer Handgun	1	
15	5CS65001	#10-24 x 1" Truss Head Screw	4	
16	5CS43498	Plastic Wing Nut	1	
17	5CS43426	Fitting Straight 1/2" Barb	1	
18	5CS43802	Pipe Nipple 1/2" NPT - 1/2" NPT	1	
19	5CS43973	Harness Retention Bracket	1	
20	5CS43889	4.0 GPM Pump Head Replacement	1	
21		3/8" Hose	1	CTL 12", MF 5CS43286
22		1/2" Hose	1	CTL 22", MF 5CS43418
23		1/2" Hose	1	CTL 28", MF 5CS43418
24		1/2" Hose	1	CTL 240", MF 5CS43418
-	5CS43652	Hose Clamp Screw Type 3/8" - 1/2"	5	Not Illustrated
-	5CS43844	Grommet 5/8" ID	1	For Item No. 21, Not Illustrated
-	5CS43854	Grommet 3/4" ID	1	For Item No. 22, Not Illustrated



# 10' Folding Boom

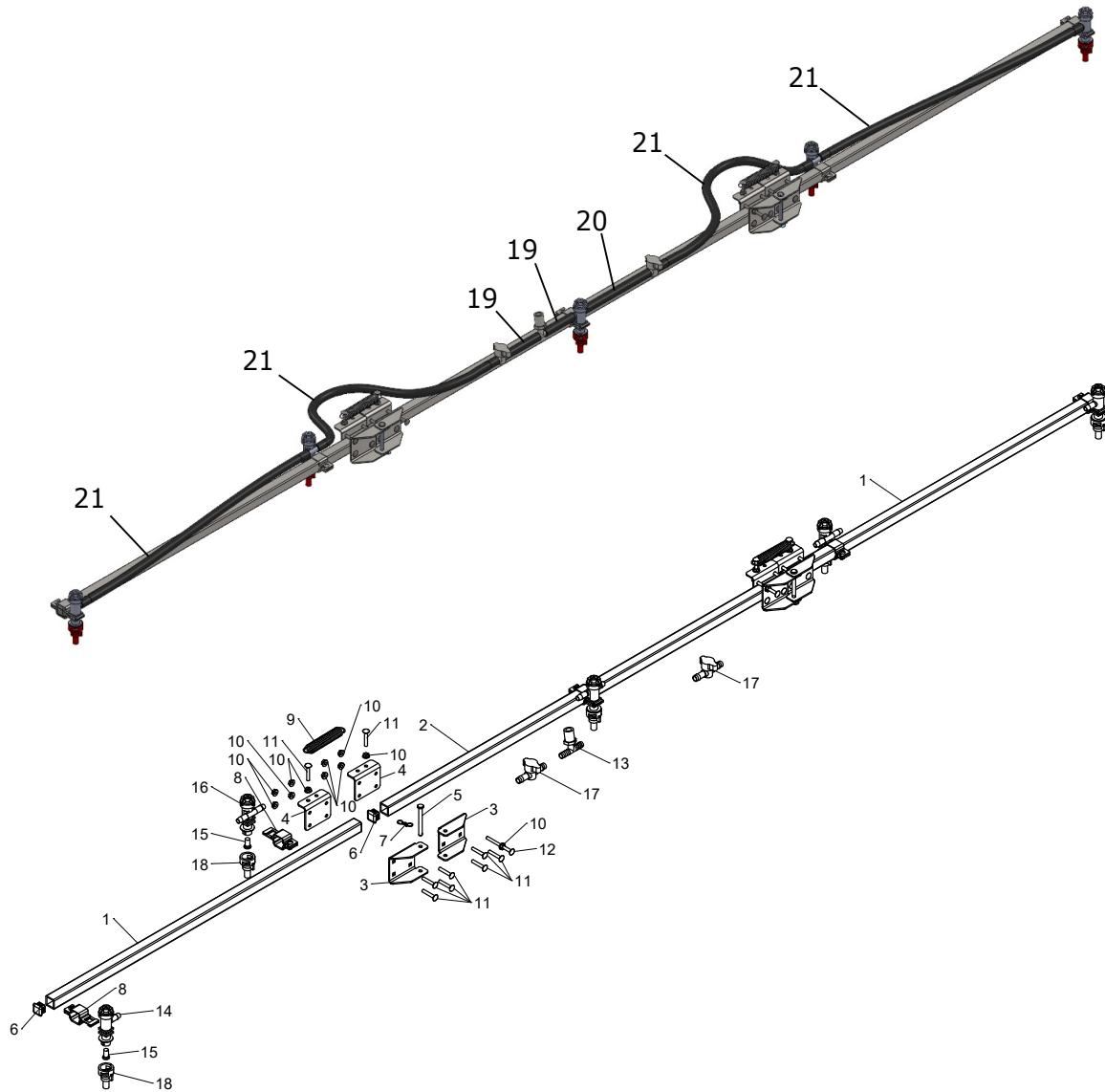


ITEM NO.	PART NUMBER	DESCRIPTION	QTY.	Note
1	5CS60084	Side Boom Tube 26"	2	
2	5CS60082	Center Boom Tube 40"	1	
3	5CS43849	Boom Hinge Bracket	4	
4	5CS43389	Boom Hinge Backing Plate	4	
5	5CS43402	5/16" x 3" Clevin Pin	2	
6	5CS43401	Plastic End Cap 1"	6	
7	5CS43624	Small Bowtie Clip	2	
8	5CS43598	Square Tube Clamp 1"	4	
9	5CS43403	Spring 3/4" x 3-3/4" x .105	2	
10	N10217	1/4" Flange Nut	26	

## 10' Folding Boom

ITEM NO.	PART NUMBER	DESCRIPTION	QTY.	Note
11	03H1810	1/4" x 1-1/2" Carriage Bolt	18	
12	5CS43192	Tee 3/8 Barb w/ Nut	1	
13	5CS43406	Nozzle Body Single Hose 3/8"	2	
14	5CS43411	Spray Tip Screen	4	
15	5CS43405	Nozzle Body Dual Hose 3/8"	2	
16	5CS43843	Air Induction Spray Tip 0.4 gpm	4	
17	5CS43014	In-line Valve 3/8"	2	
18	FH325451	1/4" x 3" Carriage Bolt	2	
19		3/8" Hose	2	CTL 4", MF 5CS43286
20		3/8" Hose	2	CTL 14.5", MF 5CS43286
21		3/8" Hose	2	CTL 29", MF 5CS43286
-	5CS43652	Hose Clamp Screw Type 3/8" - 1/2"	12	Not Illustrated

## 12.5' Folding Boom

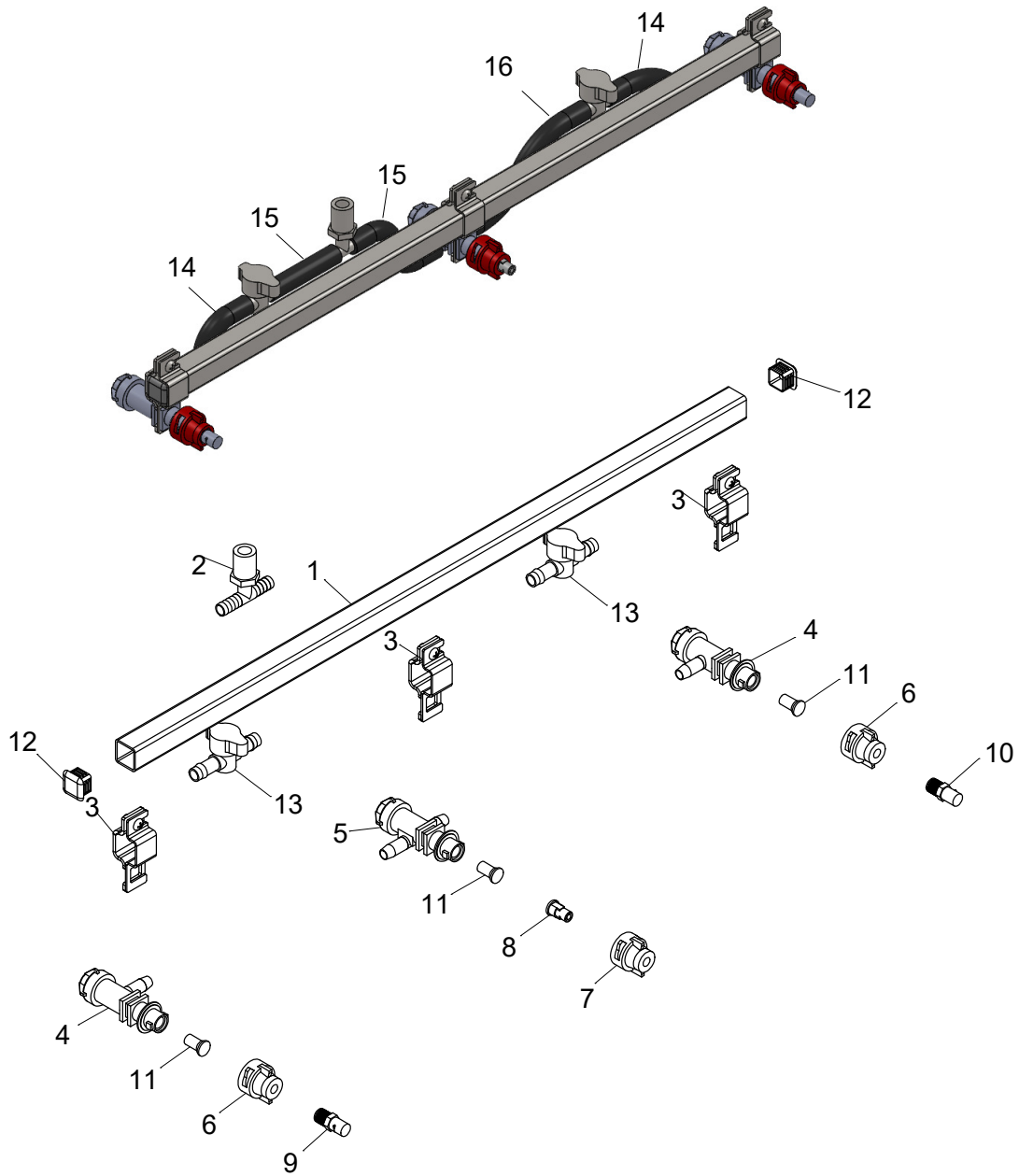


ITEM NO.	PART NUMBER	DESCRIPTION	QTY.	Note
1	5CS60085	Side Boom Tube 37"	2	
2	5CS60083	Center Boom Tube 48"	1	
3	5CS43849	Boom Hinge Bracket	4	
4	5CS43389	Boom Hinge Backing Plate	4	
5	5CS43402	5/16" x 3" Clevin Pin	2	
6	5CS43401	Plastic End Cap 1"	6	
7	5CS43624	Small Bowtie Clip	2	
8	5CS43598	Square Tube Clamp 1"	5	

## 12.5' Folding Boom

ITEM NO.	PART NUMBER	DESCRIPTION	QTY.	Note
9	5CS43403	Spring 3/4" x 3-3/4" x .105	2	
10	N10217	1/4" Flange Nut	26	
11	03H1810	1/4" x 1-1/2" Carriage Bolt	18	
12	FH325451	1/4" x 3" Carriage Bolt	2	
13	5CS43597	Tee 1/2" Barb - 1/2" NPT F	1	
14	5CS43658	Nozzle Body Single Hose 1/2"	2	
15	5CS43411	Spray Tip Screen	5	
16	5CS43595	Nozzle Body Dual Hose 1/2"	3	
17	5CS43736	In-line Valve 1/2"	2	
18	5CS43843	Air Induction Spray Tip 0.4 gpm	5	
19		1/2" Hose	2	CTL 2.5", MF 5CS43418
20		1/2" Hose	1	CTL 6", MF 5CS43418
21		1/2" Hose	4	CTL 19.25", MF 5CS43418
-	5CS43652	Hose Clamp Screw Type 3/8" - 1/2"	14	Not Illustrated

# Boomless 24' Spray



ITEM NO.	PART NUMBER	DESCRIPTION	QTY.	Note
1	5CS61020	Boom Tube 31"	1	
2	5CS43597	Tee 1/2" Barb - 1/2" NPT F	1	
3	5CS43598	Square Tube Clamp 1"	3	
4	5CS43658	Nozzle Body Single Hose 1/2"	2	
5	5CS43595	Nozzle Body Dual Hose 1/2"	1	